



The LINEA Series linear metal ceiling system uses a universal carrier for simple design and installation.

FEATURES AND BENEFITS

- Panel Sizes:
 - Panel module widths: 2", 4", 6" and 8"
 - Panel lengths: 3' to 16'
 - Panel depths (nominal): 5/8" (LINEA 2, 4, 6 & 8)
- Square-edge design
- Curved carrier application available
- Waste reduction with factory fabricated dimensional material
- Downweight: reduce dead load with lightweight aluminum
- Easy plenum access
- Interior and exterior applications
- Compatible with industry standard lighting, HVAC, speaker, fire safety, and security services

ATTRIBUTES



FIRE RATING:
CLASS A
PER ASTM E84



SEISMIC RATING:
ZONES A, B, C, D, E, F



CUSTOMIZATION
AVAILABLE

LEED® v4

RECYCLED CONTENT

up to 92%

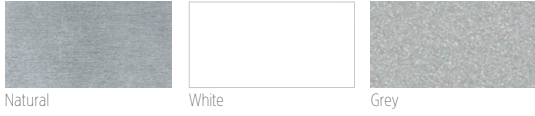
- ✓ EA: Optimize Energy Performance
- ✓ MR: Building Product Disclosure
- ✓ EQ: Low-Emitting Materials
- ✓ EQ: Indoor Air Quality Assessment
- ✓ EQ: Daylight
- ✓ EQ: Acoustic Performance

LEED® is a registered trademark of the

COLORS AND FINISHES

A wide choice of colors and finishes are available and some carry a premium price over manufacturer’s standard colors. Custom color matching is available upon request. Minimum quantities and lead times may apply. See website for the most up to date information and to order samples. Colors are for illustration purposes only.

STANDARD PAINT COLORS



Natural White Grey

CUSTOM COLORS



Premium Custom Colors

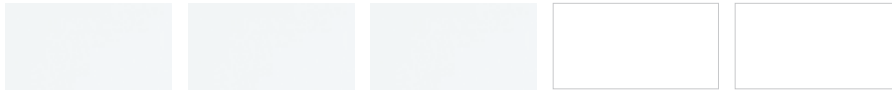
STANDARD METALLIC



Brushed Aluminum

WHITE FINISH OPTIONS

Powder-coat paint finish for Arctic White (Gloss 10-20); Crystalline White (Gloss 45-55); Supernova White (Gloss 80-90). Aviation White : Powder-coat paint finish offering – LRV 90 – 9% gloss finish; Aviation White: Coil-coat paint finish offering – LRV 93 – 5% low gloss finish.



Arctic White Crystalline White Supernova White Aviation White Aviation White

BLACK FINISH OPTIONS

Powder-coat paint finish for Starless Black #5000P (Matte); Raven Black #5030P (Gloss 25-35); Sable Black #5060P (Gloss 65-75); Wet Glass Black #5095P (Gloss 90-95)



Starless Black Raven Black Sable Black Glass Black

ANODIZED FINISH OPTIONS

Anodized aluminum class II finish for Aged Bronze #10008 (Matte); Britannia Pewter #1009



Bronze Pewter

STANDARD WOOD VENEER OPTIONS

Real wood veneer (interior only). Formaldehyde-free, Class A composite panel. Note: This is a small subset of veneers available. Please contact manufacturer for client-specific species and stains.



White Oak (Rift) Douglas Fir (VG) Cherry (Flat) Walnut (Flat) Anigre (Qtr) Maple (Flat)

DECORATED (POWDER-COAT) WOOD-LOOK OPTIONS

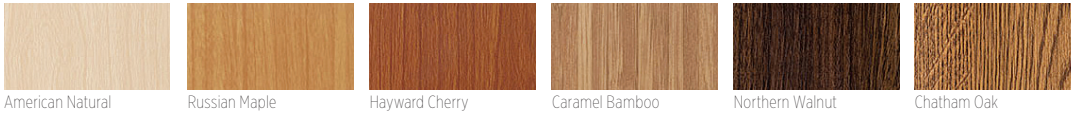
Powder-coat paint finish (interior and exterior). Formaldehyde-free, Class A composite panel. This finish is recommended for exterior conditions.



Additional finishes available upon request. Please contact your local sales representative for more information.

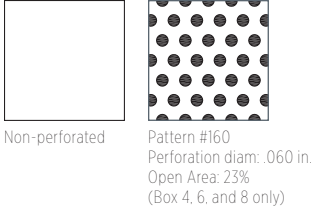
LAMINATED (FILM) WOOD FINISHES

Film (interior only). Formaldehyde-free, Class A composite panel. Minimums apply.



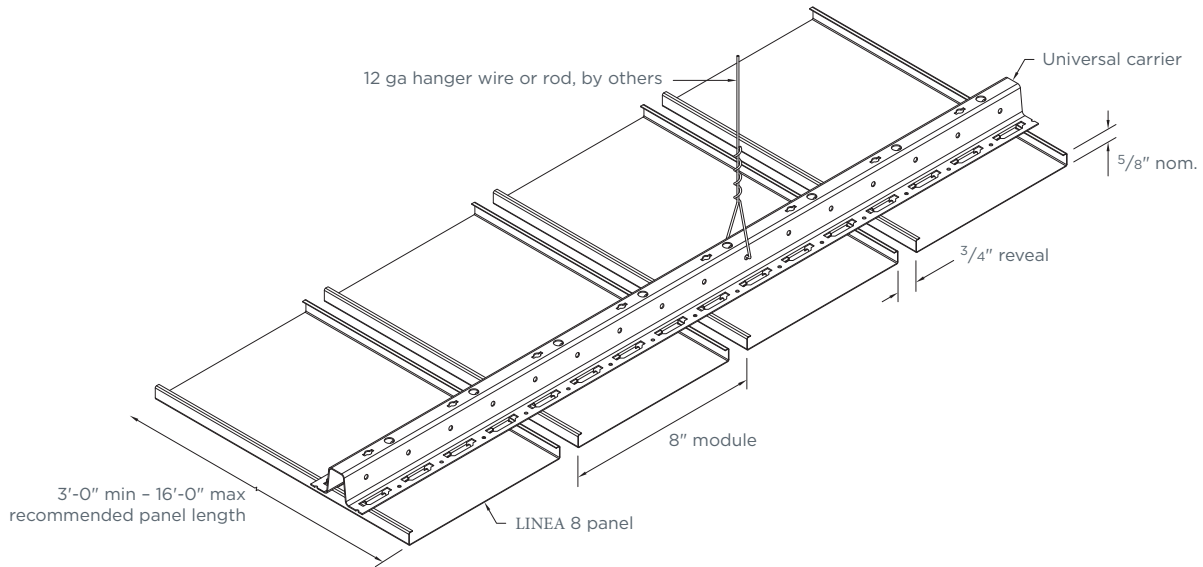
PERFORATION PATTERNS

Standard patterns shown. Perforations not available on real wood veneer. Scale shown: 1:1, unless otherwise noted.

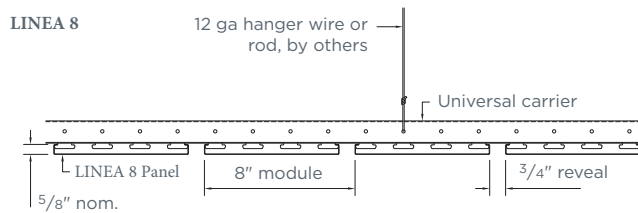


INSTALLATION EXAMPLES

Typical Isometrics



Typical Sections



Additional options available for design flexibility, contact your local sales representative to get started.

PHYSICAL DATA

MATERIAL

Aluminum

WEIGHT

Varies 1.0 - 1.6 lbs./sq.ft.

FIRE RATING

Class A Fire Rated per ASTM E84

- Painted or anodized metal: Flame spread: ≤ 25 , Smoke ≤ 50
- Film on metal: Flame spread: ≤ 25 , Smoke ≤ 50
- Wood veneer on metal: Flame spread: ≤ 25 , Smoke ≤ 55 (for interior applications)

SEISMIC RATING

Zones A,B,C,D,E,F

WIND LOAD

Per code. (for exterior applications)

RECYCLED CONTENT

Up to 92%

LIGHT REFLECTANCE (LR) COEFFICIENT PER ASTM E1264 & ASTM E1477

- Varies with finish
- Cotton White: LR = 0.81
- Aviation White #1011C: LR = 0.93

WARRANTY

1-year Limited Warranty.

ACOUSTICAL PERFORMANCE

Sound absorption can be achieved by the addition of backing ceiling panels with acoustical fabric or pad.

| PRODUCT | ACOUSTICAL INFILL | NRC |
|---|---------------------------------------|------|
| LINEA 2, non-perforated, open reveal | 1.5" - 1.5 pcf Polywrapped Fiberglass | 0.90 |
| LINEA 4, non-perforated, open reveal | 1.5" - 1.5 pcf Polywrapped Fiberglass | 0.75 |
| LINEA 4, Perforated #160 (23% open area), open reveal | 1.5" - 1.5 pcf Polywrapped Fiberglass | 0.90 |
| LINEA 4, Perforated #160 (23% open area), with Box Flat Closure Strip | Nonwoven | 0.70 |
| LINEA 4, Perforated #160 (23% open area), with Box Flat Closure Strip | 1.5" - 1.5 pcf Polywrapped Fiberglass | 0.85 |
| LINEA 6, non-perforated, open reveal | 1.5" - 1.5 pcf Polywrapped Fiberglass | 0.65 |
| LINEA 6, Perforated #160 (23% open area), open reveal | 1.5" - 1.5 pcf Polywrapped Fiberglass | 0.90 |
| LINEA 6, Perforated #160 (23% open area), with Box Flat Closure Strip | Nonwoven | 0.70 |
| LINEA 6, Perforated #160 (23% open area), with Box Flat Closure Strip | 1.5" - 1.5 pcf Polywrapped Fiberglass | 0.80 |
| LINEA 8, non-perforated, open reveal | 1.5" - 1.5 pcf Polywrapped Fiberglass | 0.50 |
| LINEA 8, Perforated #160 (23% open area), open reveal | 1.5" - 1.5 pcf Polywrapped Fiberglass | 0.90 |
| LINEA 8, Perforated #160 (23% open area), with Box Flat Closure Strip | Nonwoven | 0.70 |
| LINEA 8, Perforated #160 (23% open area), with Box Flat Closure Strip | 1.5" - 1.5 pcf Polywrapped Fiberglass | 0.85 |

* Acoustical tests performed in accordance with ASTM C423 and ASTM E795, in a type E400 mounting. Test reports available upon request.

AMERICAN ARCHITECTURAL MILLWORK

METAL • WOOD • FIBERGLASS & MINERAL FIBER • SUSPENSION & INTEGRATED SYSTEMS
248 JAMES STREET, VENICE, FLORIDA 34285 844-307-9571 millworkusa.com

AN AMERICAN ARCHITECTURAL PRODUCTS GROUP COMPANY