

PROJECT NAME

LINEA 6

Sales Order Number



248 JAMES STREET
VENICE, FL 34285
1-844-307-9571

DRAWN BY REV DATE

AWJ

CHECKED BY REV DATE

SHEET TITLE
LINEA 6 CEILING

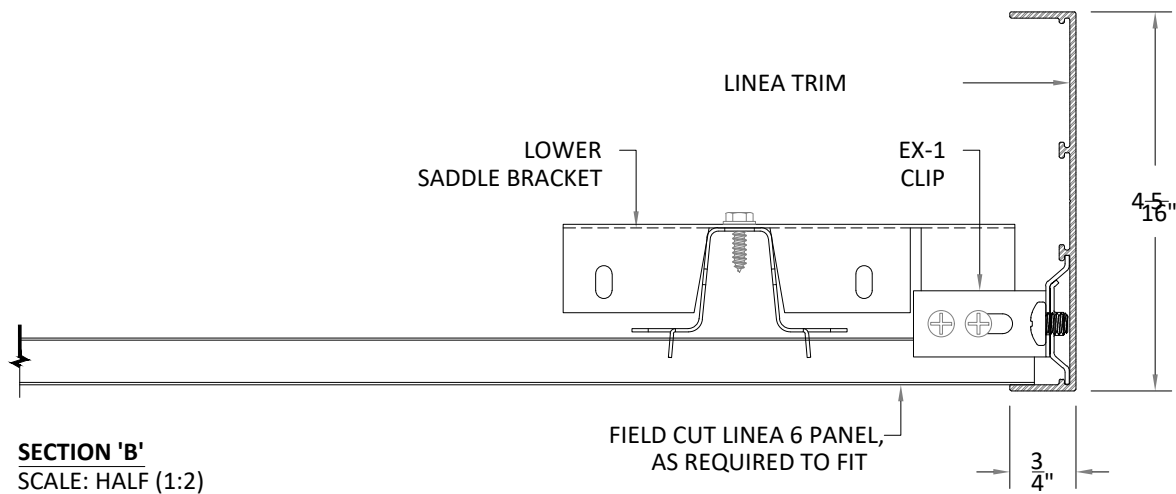
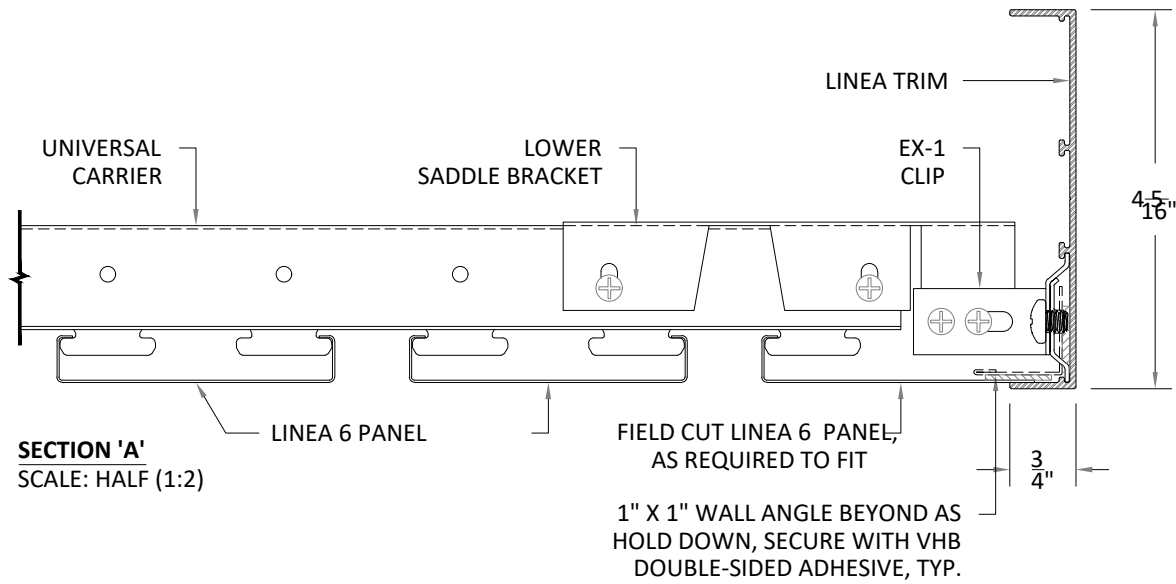
CUSTOMER DRAWING

CUSTOMER DRAWING ISSUE DATE

REVISION DATE

SHEET NUMBER

1



LOWER SADDLE BRACKET, 48" O.C. MAX, TYP, PERPENDICULAR TO CARRIER AT PANEL ENDS

EX-1 CLIP(S), 48" O.C. MAX ALONG TRIM, TYP.

FIELD MITER TRIM(S) AT CORNER

OUTSIDE CORNER SPLICE CLIP(S), SEE DETAIL A1.5

EX-1 CLIP(S), 48" O.C. MAX ALONG TRIM, TYP.

UNIVERSAL CARRIER FOR STANDARD BOX AND DEEP BOX CEILING SYSTEMS

LOWER SADDLE BRACKET, 48" O.C. MAX, TYP.

1" X 1" WALL ANGLE TO SECURE CUT PANEL SIDE, TYP.

LINEA 6 PANEL, RESTS ON 3/4" FLANGE, TYP.

TYPICAL ISOMETRIC VIEW
SCALE: NTS

SPECIFICATIONS

(unless noted otherwise)

MATERIAL: EXTRUDED ALUMINUM, THICKNESS VARIES

FINISH: PAINT | POWDER COAT | LUXACOTE

PERFORATION: NOT AVAILABLE

****VERTICAL SUPPORT OMITTED FOR CLARITY****