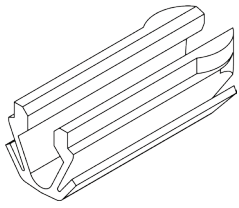


Instruction Manual

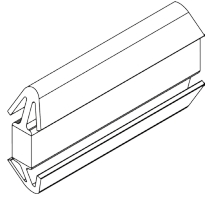
Single Tier Locker



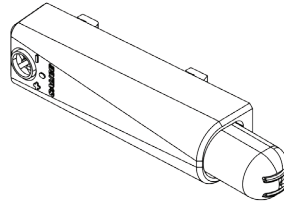
Parts included:



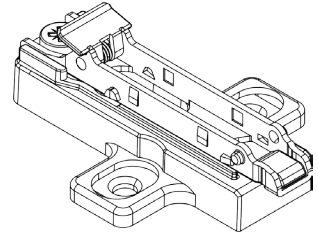
A
ClicFit Female Insert
x 60



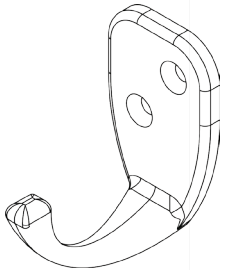
B
ClicFit Male Insert
x 30



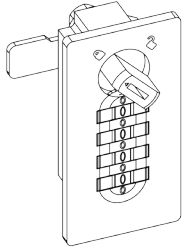
C
Smove Holder
x 1



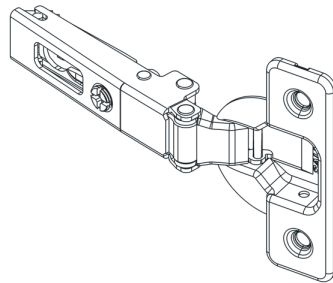
D
Base Plate
x 4



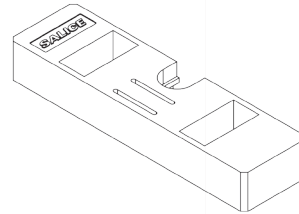
E
Robe Hook
x 2



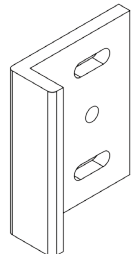
F
Mechanical Lock
x 1



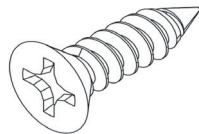
G
Hinge
x 4



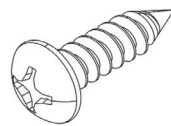
H
Smove Adapter
x 1



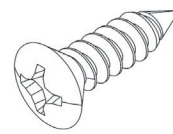
I
Strike Plate
x 1



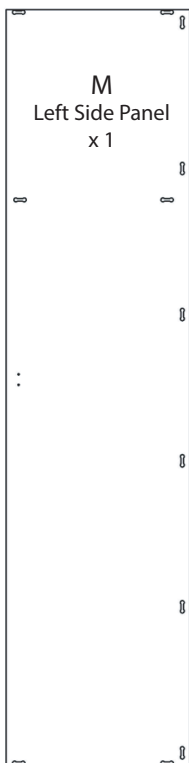
J
#6 Flathead Screw
x 16



K
#6 Roundhead Screw
x 2



L
#6 Ovalhead Screw
x 4



M
Left Side Panel
x 1



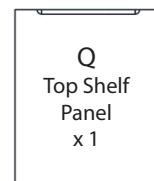
N
Back Panel
x 1



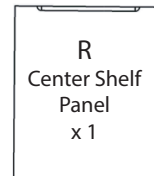
O
Right Side Panel
x 1



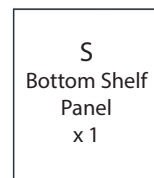
P
Door
x 1



Q
Top Shelf Panel
x 1

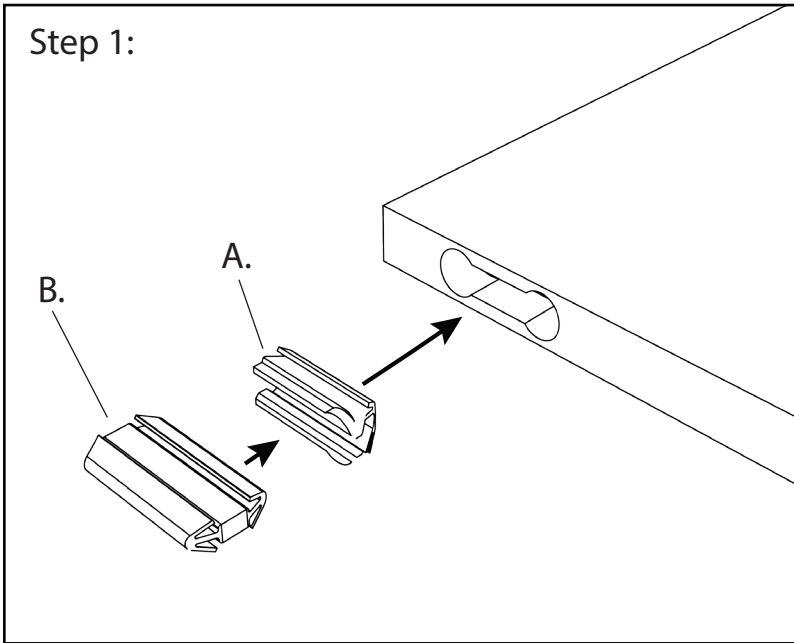


R
Center Shelf Panel
x 1



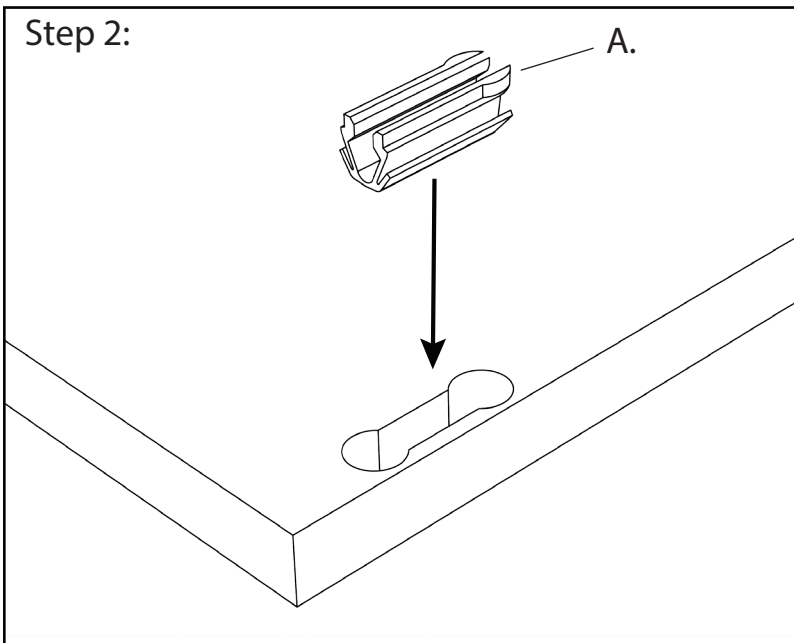
S
Bottom Shelf Panel
x 1

Step 1:



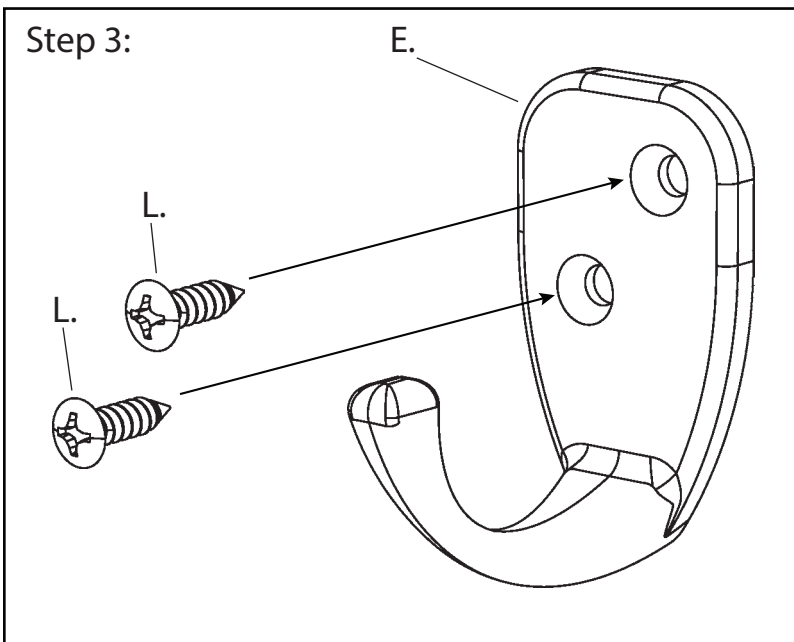
Connect male connector B into side slot of female connector A. Insert clip consisting of connector A and connector B into the side edge of panel # making for a solid fit. Once clips are inserted into panel they cannot be removed. Continue these steps when inserting all 30 Male and Female combined clips.

Step 2:



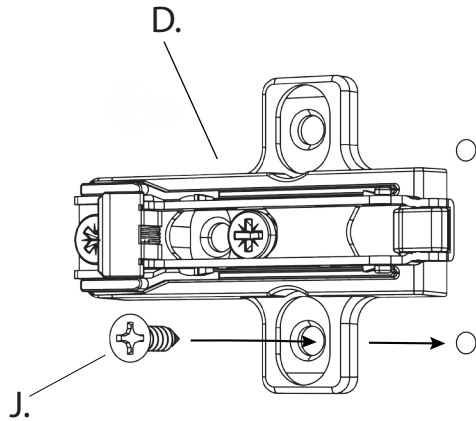
Insert clip consisting of connector A into the top front facing side of panel # making for a solid fit. Once clips are inserted into panel they cannot be removed. Continue these steps when inserting all 30 clips.

Step 3:



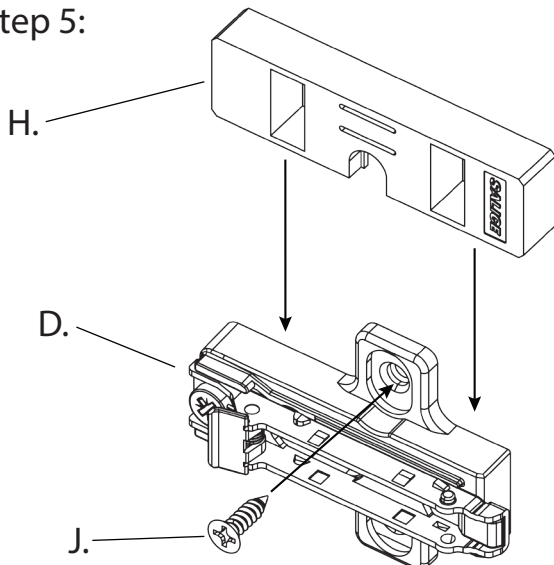
Robe Hooks (E1, E2) are placed over pre drilled holes on left side panel (M.) and right side panel (O.). Once robe hooks are aligned to pre drilled holes, secure hooks to panels (M.) and (O.) using two #6 oval head screws (L.) using philips head screwdriver.

Step 4:



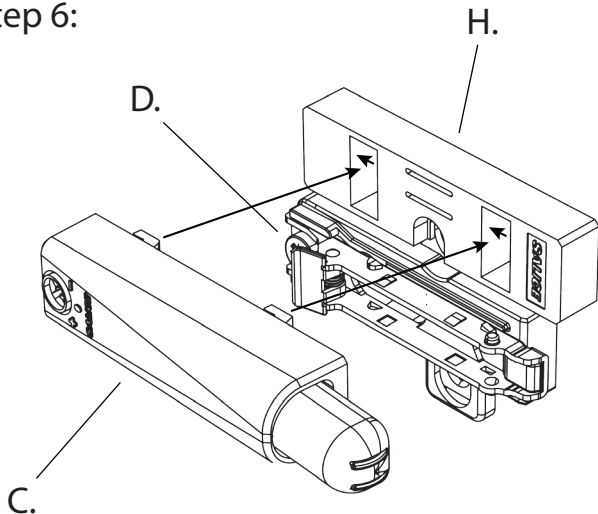
Base plate (D.) placed over pre-drilled holes on right side panel (O.). Once Base plate (D) is aligned to pre drilled holes, secure base plates to panel (O) using 7 #6 flathead screws (J) using philips head screwdriver. Continue these steps to install all 4 base plates (D), excluding bottom base plate. The final base plate (D) will be secured using 1 #6 flathead screw (J) in the bottom screw insert hole. Leaving the top screw insert hole empty for the installation of Smove holder (C) and Smove adapter (H), seen in steps 5 and 6.

Step 5:

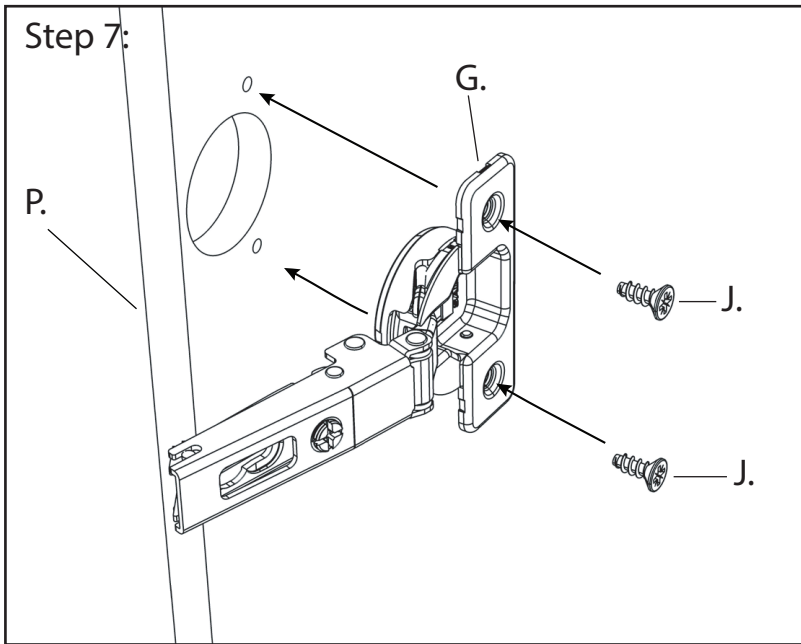


Using the bottom base plate (D) slide the Smove adapter (H) over the top side of the bottom baseplate (D) in a downward motion aligning Smove adapter (H) slot to screw tab brace located on the top side of base plate (D). Once Smove adapter (H) is secure to Base plate (D) insert #6 flathead screw (J) to screw tab brace and pre drilled hole on right side panel (O) and secure using philips head screw driver.

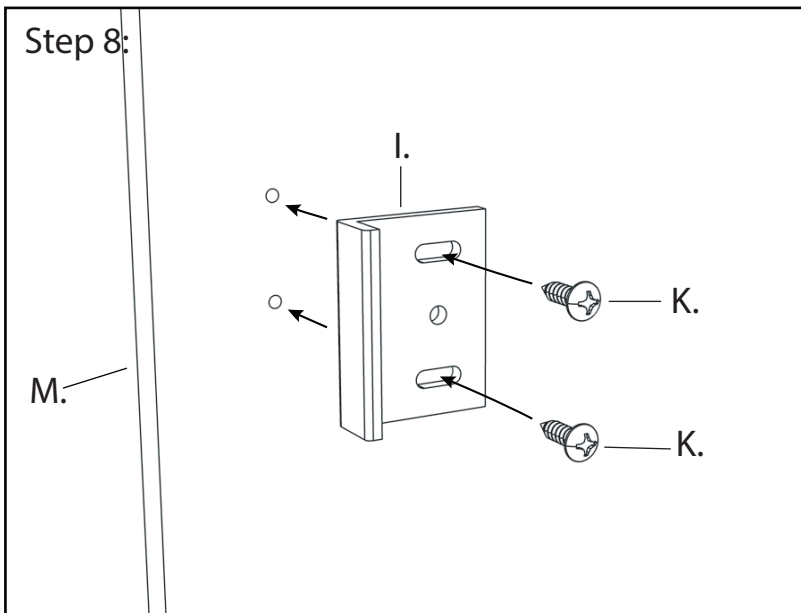
Step 6:



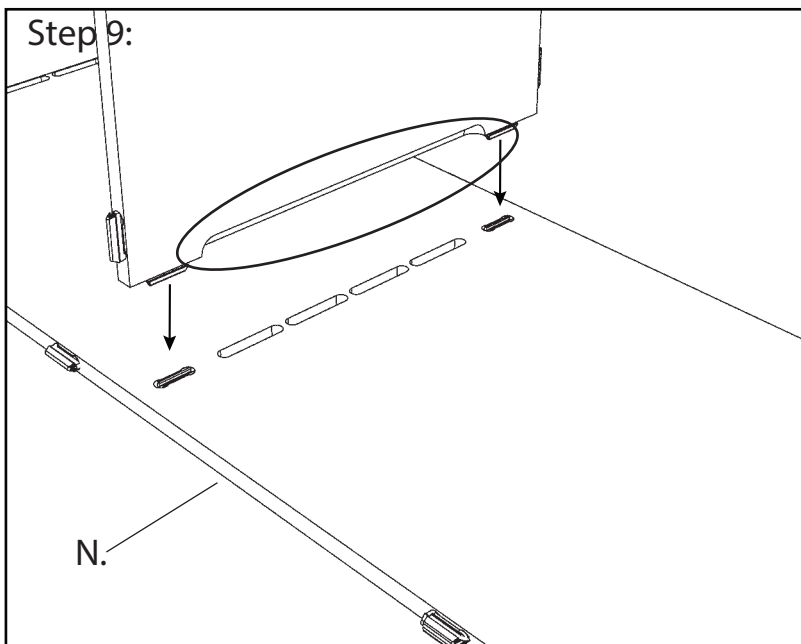
Now take Smove holder (C) and align it with the rectangular insert holes located on the side of smove adapter (H). Push Smove holder into rectangular insert holes on smove adapter (H) and slide Smove holder (C) towards the back end of base plate (D) to lock all hardware into place.



Attaching the hinges (G) to the inside of door panel (P). Starting from the top of the inside door panel (P) align hinges (G) to pre milled cup holes and pre drilled screw holes on inside of door panel (P). After aligning hinge (G) holes to and cup to Door Panel (P) insert two #6 flathead screws (J) into predrilled holes on door panel (P) and secure hardware with philips screwdriver. Repeat these steps for all (4) hinges.



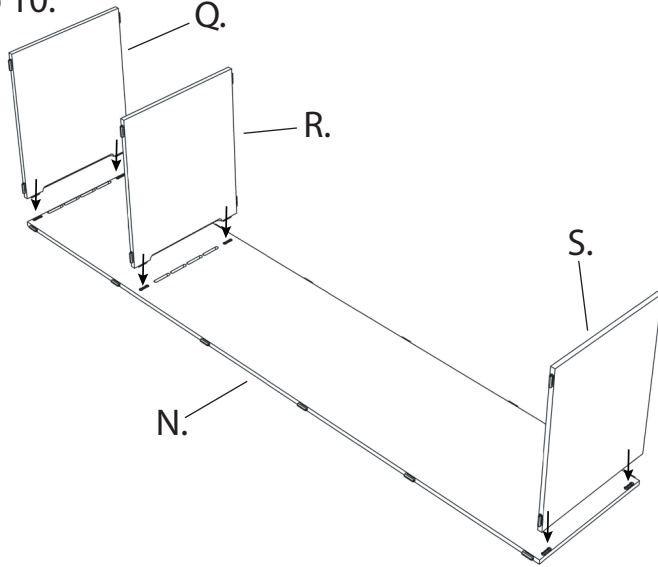
Attaching the strikeplate (I) to the inside of left side panel (M). align strikeplate (I) to pre drilled screw holes on inside of left side panel (M). After aligning strikeplate (I)to holes to left side Panel (M) insert two #6 roundhead screws (K) into predrilled holes on left side panel (M) and secure hardware with philips screwdriver.



After installing all of the hardware, start the assembly of the panels. While having back panel (N) laying on a flat surface with all inserts facing up start attaching shelves to Female inserts on back panel (N). When assembling shelving to back panel (N) be sure to have ventilation slot located on the edge of shelf panel facing the bottom of back panel (N). Ventillation slot located in image to the left.

Important note: Ventilation slots located on the ends of shelf panels (Q and R) must be facing towards bottom of Back Panel (N) for proper installation. Please refer to diagram for circled location of the ventilation slot.

Step 10:

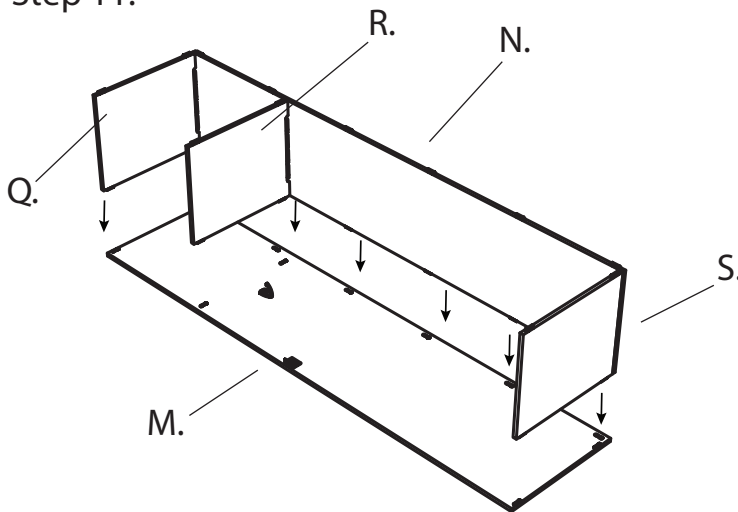


Lay back panel (N) on a flat surface with the inserts facing upwards.

Important note: When fastening components (Q) (R) and (S) to panel (N) be certain that the smooth unmachined edges are all in the same plain. Be sure that the edge

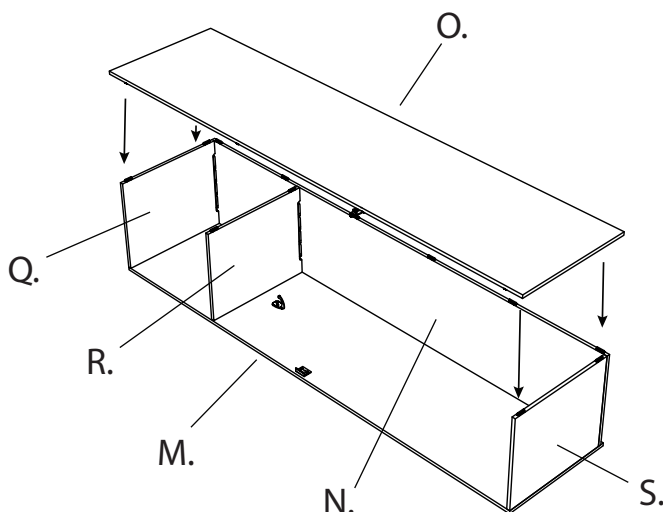
Attach top (Q) to panel (N) by pushing the male inserts in top (Q) into the female inserts in panel (N). Repeat this exercise for shelf (R) and base (S).

Step 11:

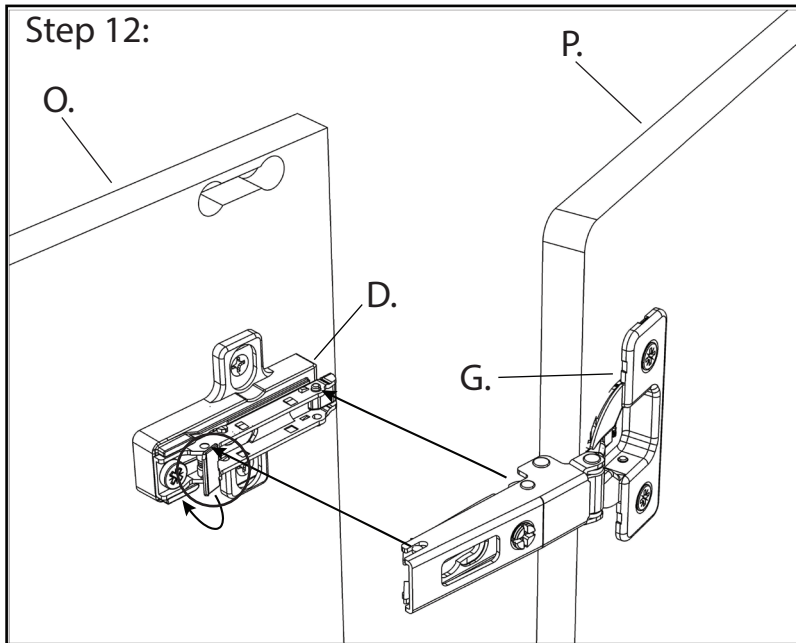


Lay left panel (M) on flat surface with inserts facing upwards. Use panel assembly installed in Step 10 and align Male inserts of panels (N, Q, R and S) into female inserts of left panel (M) and push male inserts into female inserts connecting the panels.

Step 12:



With left side panel (M) laying on a flat surface align female inserts on right side panel (O) to male inserts on panels (Q, R, S and N) and push female inserts into female inserts connecting the panels.



Connect all 4 Hinges (G) attached to door panel (P) to base plates (D) attached to Right Side Panel (O). Align each Hinge (G) arm to center of each Baseplate (D) pushing the two together until hearing a *CLICK*.

Important note: To detach Hinge (G) from Baseplate (D) press in release tab. Refer to diagram for circled location of the release tab.

Warranty

The following AAM products are warranted to be free from defects in workmanship and material under normal usage from the date of purchase for the periods set forth below. (Rust and discoloration to stainless steel parts resulting from exposure to harsh environmental and/or chemical conditions are not considered to be defects in workmanship or material and there is no expressed or implied warranty for such condition).

The following toilet partition panels, doors and stiles are warranted against breakage, corrosion, delaminating and defects in workmanship from the date of purchase for the periods set forth (this limited warranty is conditioned on the toilet partitions being properly installed, used and serviced).



**AMERICAN
ARCHITECTURAL
MILLWORK**
American Architectural Millwork
248 James St.
Venice, FL 34285
(844)-307-9571
www.millworkusa.com



Fully Assembled
Single Tier Yu Locker